

# CENTRIFUGAL PUMPS TYPE: “M”

## DESCRIPTION:

Pumps type 'M' are horizontal, non self-priming centrifugal pumps. They are built as single stage or multistage pumps up to 10 stages. Suction branch is vertical the intermediate parts are designed to lead the water from the outlet of one impeller to inlet of the adjacent impeller with minimum of friction resulting in high efficiency of the pumps. The rotor of the pump is supported by antifriction bearing at both ends except for pump series M 450K in which rotor is supported by Antifriction bearings at the drive end and bush bearing at the free end. Antifriction bearings are grease lubricated. Pumps are provided with stuffing box packing. Depending upon the application mechanical seal can also be fitted.

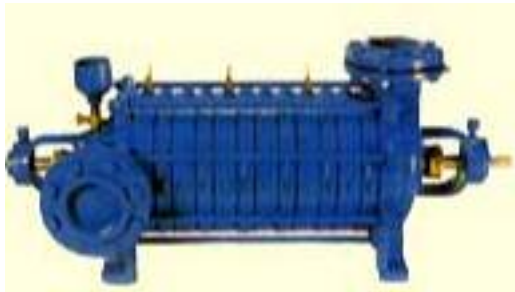
## APPLICATION:

Industrial, Marine, Refrigeration, Fuel Oil, Fire Fighting, Pressure Boosting, Sprinkler Irrigation, Mining etc.

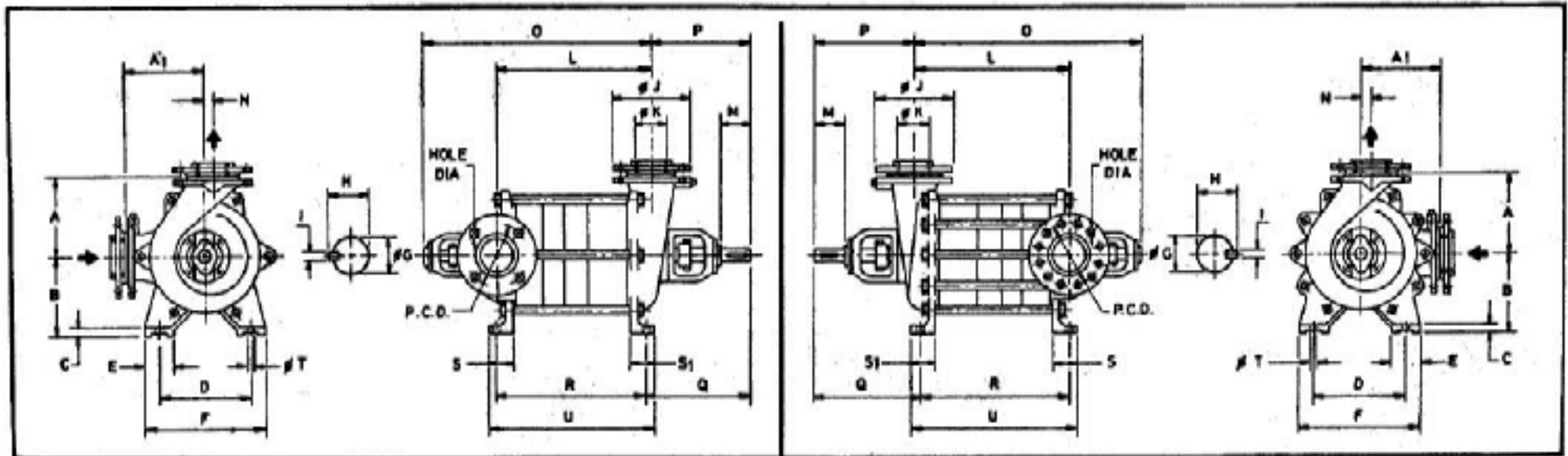
## STANDARD MATERIAL OF CONSTRUCTION:

- Casing: Close grained cast iron
- Impeller: Close grained cast iron
- Shaft: Stainless steel

Special material of construction shall be available on request.



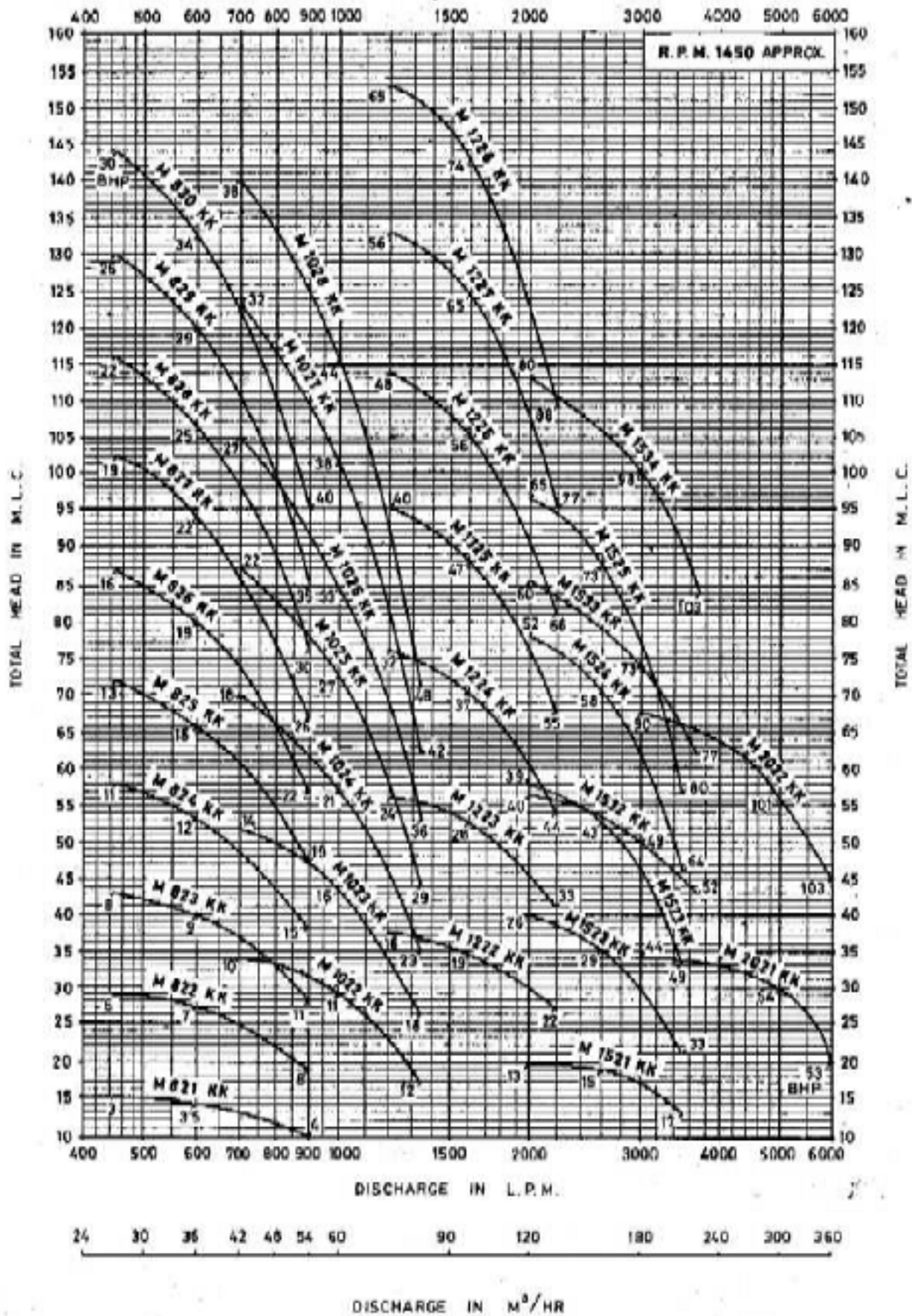
## M820KK, M1020KK, M1220KK, M1520KK, M1530KK & M2020KK SERIES



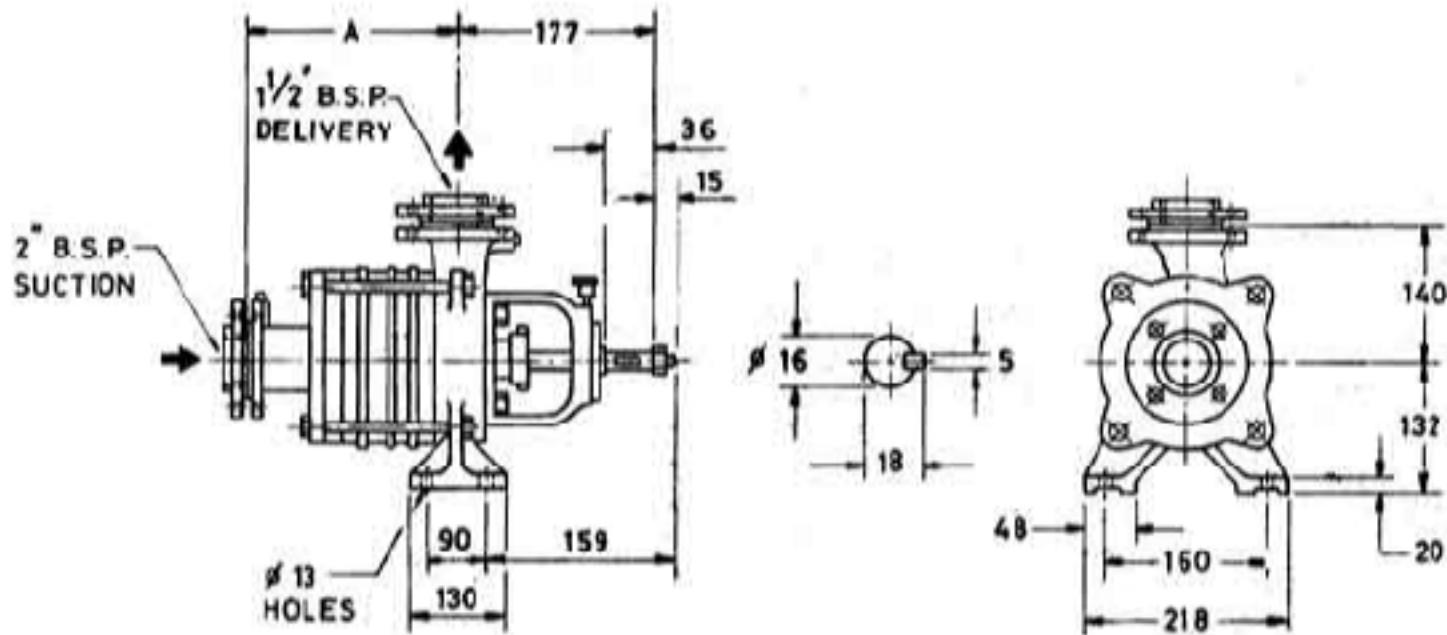
DIMENSIONS TABLE AVAILABLE ON NEXT PAGE

PUMP TYPE	SHAFT DIM. AT COUPLINGS										SUC. & DEL. FLANGE DETAILS															WT. IN KGs	
	A	A1	B	C	D	E	F	G	H	I	J	K	P. C. D.	NO. OF HOLES	HOLE DIA	L	M	N	O	P	Q	R	S	S1	T		U
M821KK	200	220	18	20	200	50	250	26	29	8	200	80	160	4	18	101	56	30	317	280	274	103	65	65	15	146	95
M822KK	"	"	"	"	"	"	"	"	"	"	"	"	"	"	"	181	"	"	397	"	"	183	"	"	"	226	100
M823KK	"	"	"	"	"	"	"	"	"	"	"	"	"	"	"	261	"	"	477	"	"	263	"	"	"	306	110
M824KK	"	"	"	"	"	"	"	"	"	"	"	"	"	"	"	341	"	"	557	"	"	343	"	"	"	386	130
M825KK	"	"	"	"	"	"	"	"	"	"	"	"	"	"	"	421	"	"	637	"	"	423	"	"	"	466	150
M826KK	"	"	"	"	"	"	"	"	"	"	"	"	"	"	"	501	"	"	717	"	"	503	"	"	"	546	175
M827KK	"	"	"	"	"	"	"	"	"	"	"	"	"	"	"	581	"	"	797	"	"	583	"	"	"	626	200
M828KK	"	"	"	"	"	"	"	"	"	"	"	"	"	"	"	661	"	"	877	"	"	663	"	"	"	706	230
M829KK	"	"	"	"	"	"	"	"	"	"	"	"	"	"	"	741	"	"	957	"	"	743	"	"	"	786	260
M830KK	"	"	"	"	"	"	"	"	"	"	"	"	"	"	"	821	"	"	1037	"	"	823	"	"	"	866	300
M1022KK	220	225	214	18	270	70	340	26	29	8	220	100	180	8	18	194	56	40	431	277	273	187	70	65	15	234	125
M1023KK	"	"	"	"	"	"	"	"	"	"	"	"	"	"	"	279	"	"	516	"	"	272	"	"	"	319	145
M1024KK	"	"	"	"	"	"	"	"	"	"	"	"	"	"	"	364	"	"	601	"	"	357	"	"	"	404	165
M1025KK	"	"	"	"	"	"	"	"	"	"	"	"	"	"	"	449	"	"	686	"	"	442	"	"	"	489	185
M1026KK	"	"	"	"	"	"	"	"	"	"	"	"	"	"	"	534	"	"	771	"	"	527	"	"	"	574	205
M1027KK	"	"	"	"	"	"	"	"	"	"	"	"	"	"	"	619	"	"	856	"	"	612	"	"	"	659	225
M1028KK	"	"	"	"	"	"	"	"	"	"	"	"	"	"	"	704	"	"	941	"	"	697	"	"	"	744	260
M1222KK	240	248	214	20	270	72	342	32	35	9.5	250	125	210	8	18	256	70	36	542	277	274	230	72	70	14.5	286	140
M1223KK	"	"	"	"	"	"	"	"	"	"	"	"	"	"	"	371	"	"	657	"	"	345	"	"	"	401	170
M1224KK	"	"	"	"	"	"	"	"	"	"	"	"	"	"	"	486	"	"	772	"	"	460	"	"	"	516	205
M1225KK	"	"	"	"	"	"	"	"	"	"	"	"	"	"	"	601	"	"	887	"	"	575	"	"	"	631	240
M1226KK	"	"	"	"	"	"	"	"	"	"	"	"	"	"	"	716	"	"	1002	"	"	690	"	"	"	746	270
M1227KK	"	"	"	"	"	"	"	"	"	"	"	"	"	"	"	831	"	"	1117	"	"	805	"	"	"	861	300
M1228KK	"	"	"	"	"	"	"	"	"	"	"	"	"	"	"	946	"	"	1232	"	"	920	"	"	"	976	330
M1521KK	275	275	237	25	317	80	400	36	39	10	285	150	240	8	22	166	70	60	436	329	326	140	80	80	18	195	180
M1522KK	"	"	"	"	"	"	"	"	"	"	"	"	"	"	"	316	"	"	586	"	"	290	"	"	"	345	200
M1523KK	"	"	"	"	"	"	"	"	"	"	"	"	"	"	"	466	"	"	736	"	"	440	"	"	"	495	230
M1524KK	"	"	"	"	"	"	"	"	"	"	"	"	"	"	"	616	"	"	886	"	"	590	"	"	"	645	280
M1525KK	"	"	"	"	"	"	"	"	"	"	"	"	"	"	"	766	"	"	1036	"	"	740	"	"	"	795	340
M1532KK	305	305	280	25	380	80	450	36	39	10	285	150	240	8	22	320	56	60	595	320	316	298	80	80	18	362	260
M1533KK	"	"	"	"	"	"	"	"	"	"	"	"	"	"	"	474	"	"	749	"	"	452	"	"	"	516	300
M1534KK	"	"	"	"	"	"	"	"	"	"	"	"	"	"	"	628	"	"	903	"	"	606	"	"	"	670	355
M2021KK	394	394	325	25	434	100	534	47	50.5	14	340	200	295	12	22	232	75.5	50	598	308	340	158	106	106	22	254	350
M2022KK	"	"	"	"	"	"	"	"	"	"	"	"	"	"	"	419	"	"	758	"	"	345	"	"	"	441	460

DISCHARGE IN L.P.M.



## M450K, KL SERIES



PUMP TYPE	A	WEIGHT IN KGS. (APPROX)
M 451 K	129	26
M 452 K	176	32
M 453 K M 453 KL	223	38

- All Dimensions Are in Millimeters Unless Otherwise Stated.
- Casting Dimensions Are Approximate.

